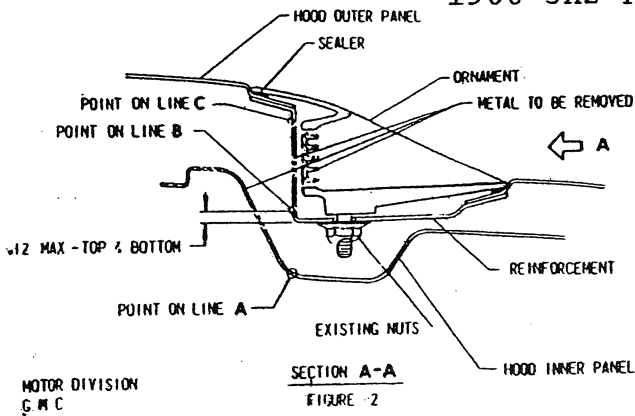
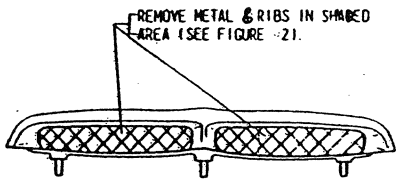


1966 3X2 RAM AIR PAN INSTRUCTIONS

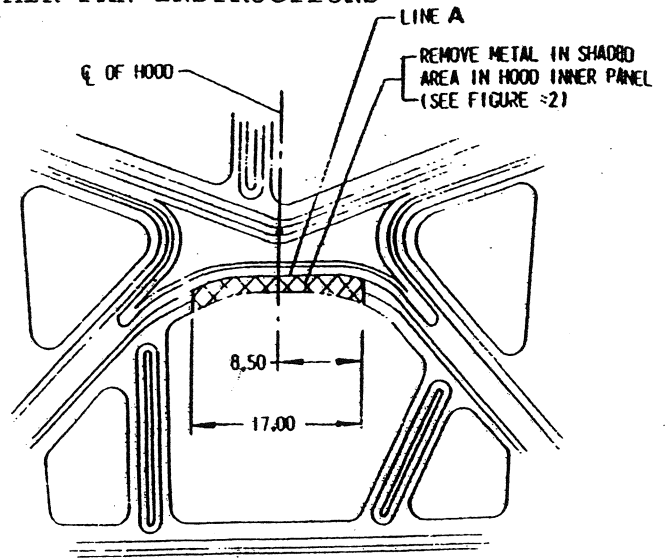


SECTION A-A
FIGURE -2

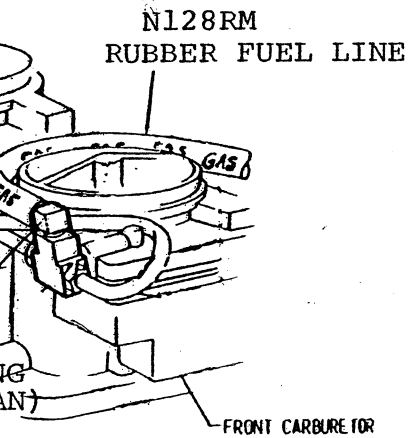
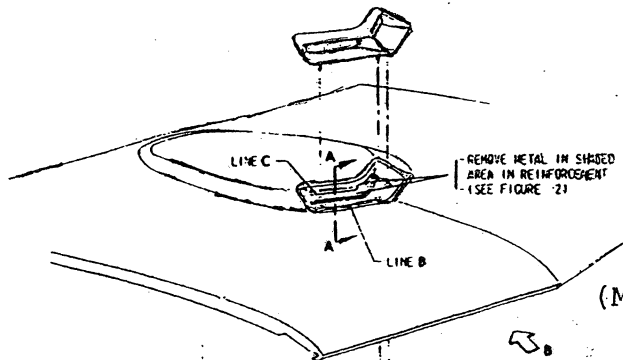


VIEW A
FIGURE -3

Instructions for opening the hood ornament for the 1965-67 Ram Air package.



VIEW B
FIGURE -4



VIEW C
FIGURE -5

Instruction from the 1966 Ram Air package advising the installer to modify the underhood bracing.

- N137 WING NUTS
- N106 CHROME LID
- N109 PAPER ELE...

NOTE: FOR FOAM ELEMENTS USE N112 & SCREENS N113.

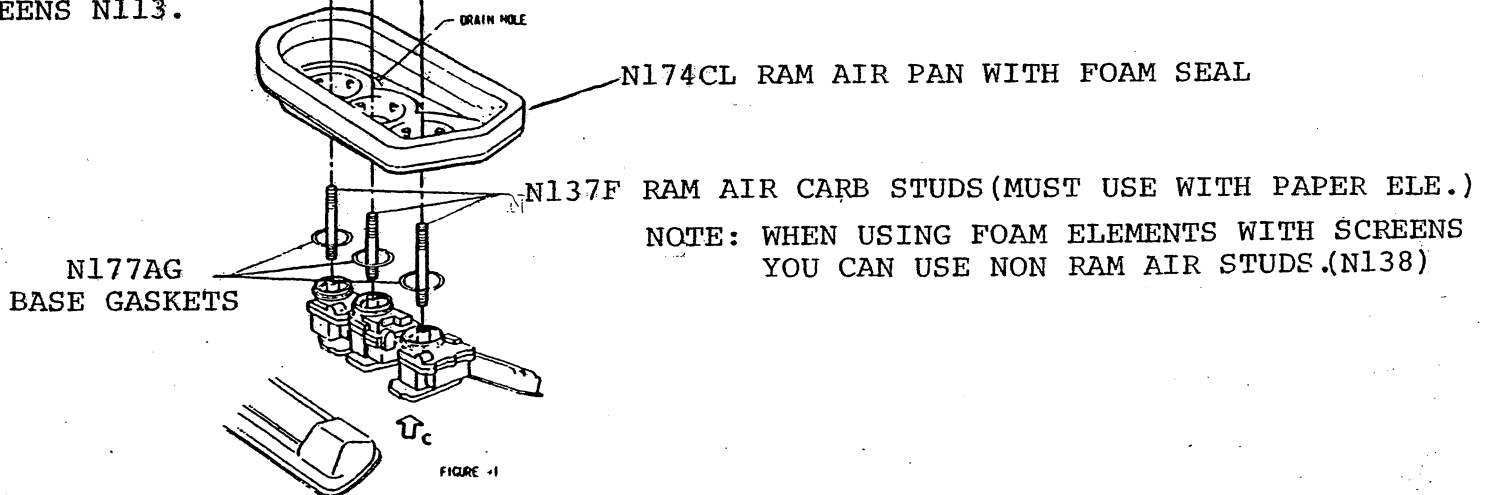


FIGURE -1

NOTE: WHEN USING FOAM ELEMENTS WITH SCREENS YOU CAN USE NON RAM AIR STUDS.(N138)

Directions from the 1966 instruction sheet for installing the Ram Air pan and carburetor assembly and the hood ornament after it has been modified. Note inserts in pan around carburetor openings, indicating pan was for 1966.